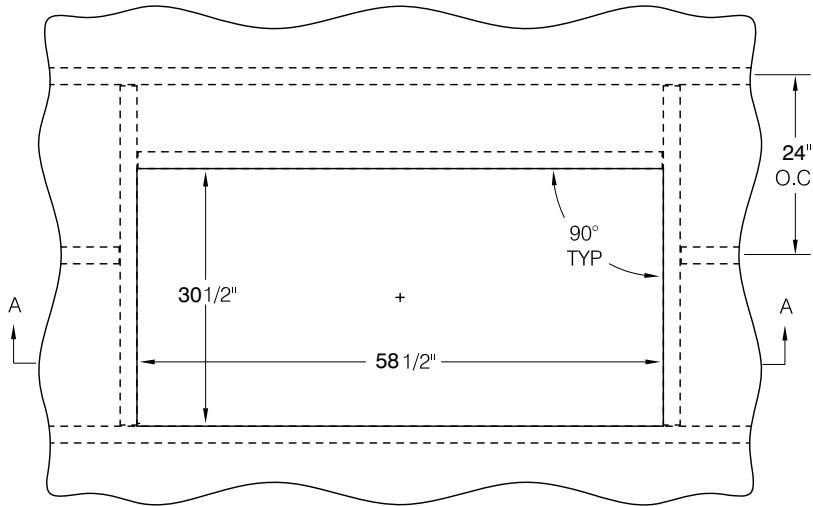


Rough-In Guide for Solid Lumber Joists

Roughing-In Notes:

Tolerance for opening dimensions is +1/4" (6mm), -0" (-0mm). The opening must be square and the side walls perpendicular. Maximum joist height is 18" tall. See specification sheet for maximum floor-to-floor height of specific models. For detailed framing suggestions, see the [Versa Lift Installation Guide](#).

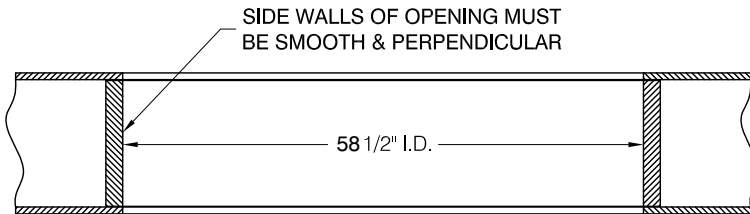
TYPICAL FRAMING FOR 24" O.C. SOLID JOISTS



CAD: 32RUFN-24-PLAN.DWG

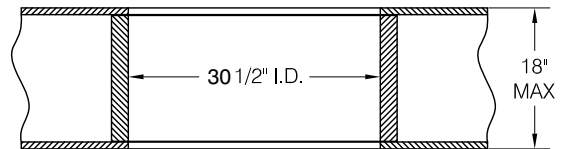
IMPORTANT NOTE:

The required finished opening is 30.5 x 58.5" with smooth sidewalls. Whenever joist hanger brackets are used to frame the opening, they must be covered to prevent interference with the lifting platform operation. 2 x 2" "L" shaped flashing strips (4) are provided by BPG to cover hanger brackets and nail head in the corners of the lift opening.



CAD: 32RUFN-FRT-X.DWG

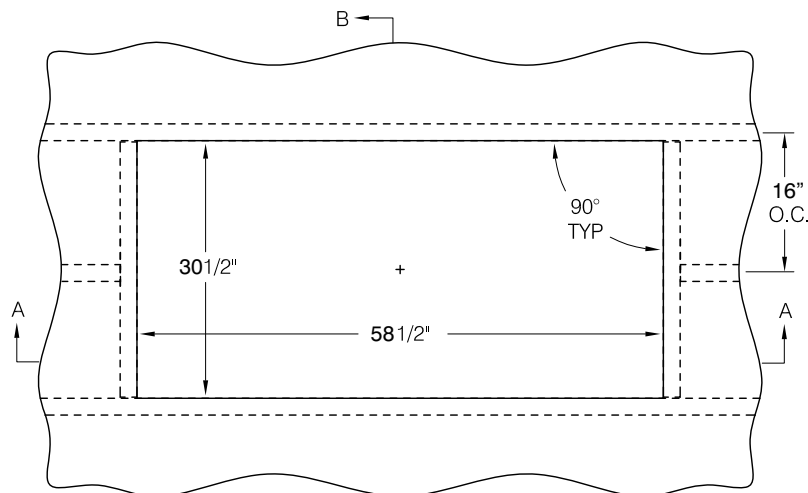
SEC. A-A



CAD: 32RUFN-SIDE-X.DWG

SEC. B-B

TYPICAL FRAMING FOR 16" O.C. SOLID JOISTS



CAD: 32RUFN-16-PLAN.DWG

IMPORTANT NOTE:

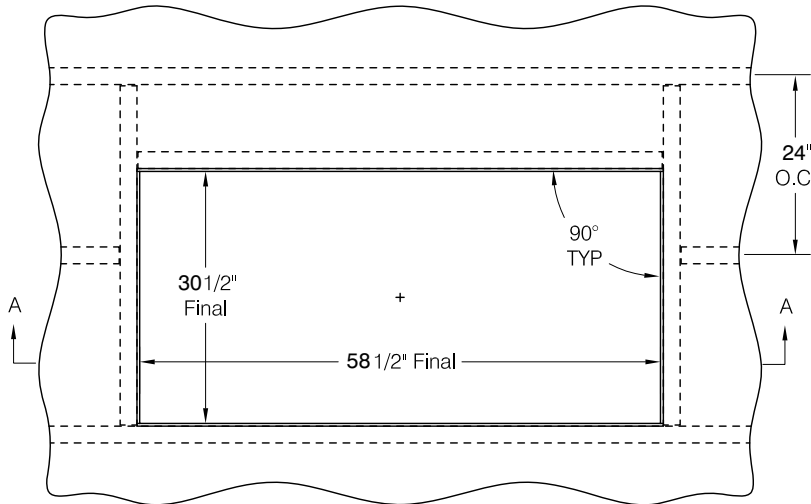
The required finished opening is 30.5 x 58.5" with smooth sidewalls. Whenever joist hanger brackets are used to frame the opening, they must be covered to prevent interference with the lifting platform operation. 2 x 2" "L" shaped flashing strips (4) are provided by BPG to cover hanger brackets and nail head in the corners of the lift opening.

Rough-In Guide for Fabricated "I-Joists"

Roughing-In Notes:

For I-Joists, frame the opening 1/2" larger in each dimension, then skin the side walls with 1/4" plywood for a smooth opening. Tolerance for opening dimensions is +1/4" (6mm), -0" (-0mm). The opening must be square and the side walls perpendicular. Maximum joist height is 18" tall. See specification sheet for maximum floor-to-floor height of specific models. For detailed framing suggestions, see the **Versa Lift Installation Guide**.

TYPICAL FRAMING FOR 24" O.C. Fabricated I-JOISTS

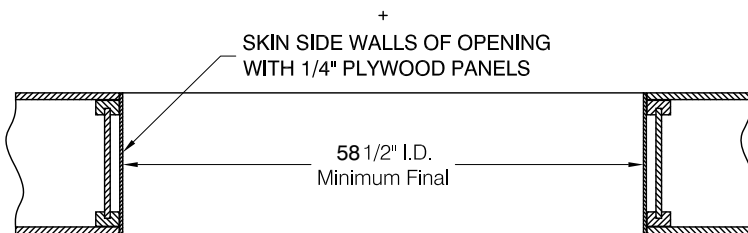


CAD: 32RUFN-16-I-PLAN1.DWG

-OR-

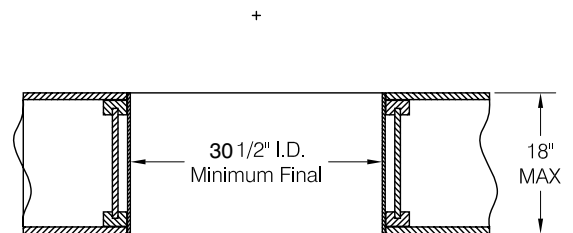
CAD: 32RUFN-16-I-PLAN2.DWG

Note: For I-Joists, frame opening 31" x 59", then skin inside with 1/4" plywood to make the final opening size 30.5" x 58.5" with smooth side walls.



CAD: 32RUFN-I-FRT-X.DWG

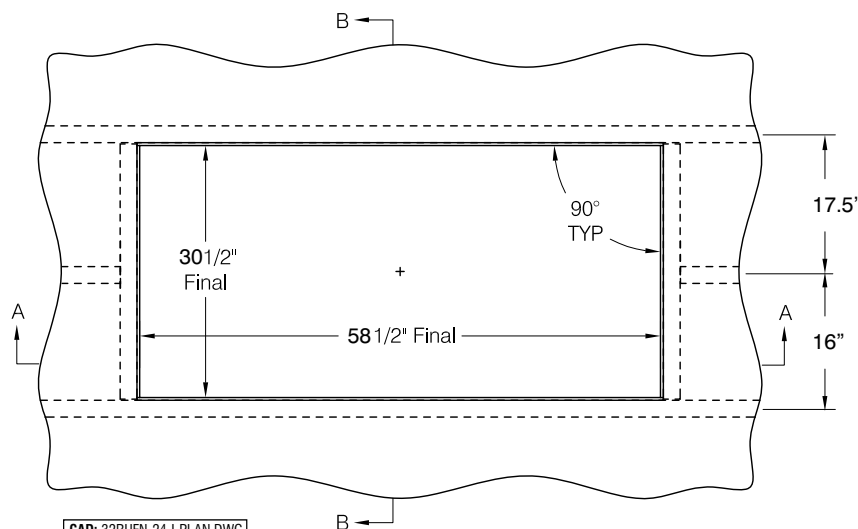
SEC. A-A



CAD: 32RUFN-I-SIDE-X.DWG

SEC. B-B

TYPICAL FRAMING FOR 16" O.C. Fabricated I-JOISTS



CAD: 32RUFN-24-I-PLAN.DWG

Note: For I-Joists, frame opening 31" x 59", then skin inside with 1/4" plywood to make the final opening size 30.5" x 58.5" with smooth side walls.

Important: To get the required 31" x 59" opening, one I-Joist must be shifted 1 1/2" off-center - or - you must cut two I-Joists and box in the opening using a stringer.