

Versa Lift Installation Guide Supplement for Truss Leg Kit ¹

NOTE: These instructions are for the Truss Leg Kit and Model 24 Versalif, if your model is different, contact us for instructions.

NOTICE: This supplement is not intended to be complete installation instructions for the Versa Lift. These instructions are to be read in conjunction with the *Versa Lift Installation Guide* section regarding the **Lift Opening Requirements** (pages 5-9) and the **Lift Head Assembly** (pages 12-14).

SAFETY WARNING: Before starting this installation, read the *Versa Lift Installation Guide* for complete information about installing the Versa Lift, including critical safety information on pages 2 and 3.

SAFETY WARNING: Install attic decking around the lift opening before starting assembly and installation of the lift head. It is very dangerous to work on undecked rafters and the decking should be applied before the mounting rails and lift head are installed.

1. ABOUT THE TRUSS LEG KIT:

The standard housing legs supplied with the Versa Lift will not normally fit between roof trusses on 24" centers. Roof trusses must not be cut or modified because each member is load bearing within the assembly.

For this reason we developed the "Truss Leg Kit" which includes specially designed legs that will fit in the

trusses on 24" centers (see Figs. 1 and 2). The truss legs are mounted with brackets and require shorter mounting bolts than the standard legs. The Truss Leg Kit includes the additional hardware (bolts & screws) needed for assembly. The kit contents are details on the following page.

The only part of the lift head that does not fit between the trusses are the mounting rails (Fig. 2). The mounting rails must rest on the truss joists to support weight of the lift as shown in Fig. 2. (The mounting rails are the ones supplied with all Versa Lift models and are not part of the Truss Leg Kit.)

Please note when planning the location of the lift opening that the lift opening must be at least 2" away from any vertical truss member to provide space for the mounting rails as shown in Fig. 5 on page 3.

(Continued on following page.)

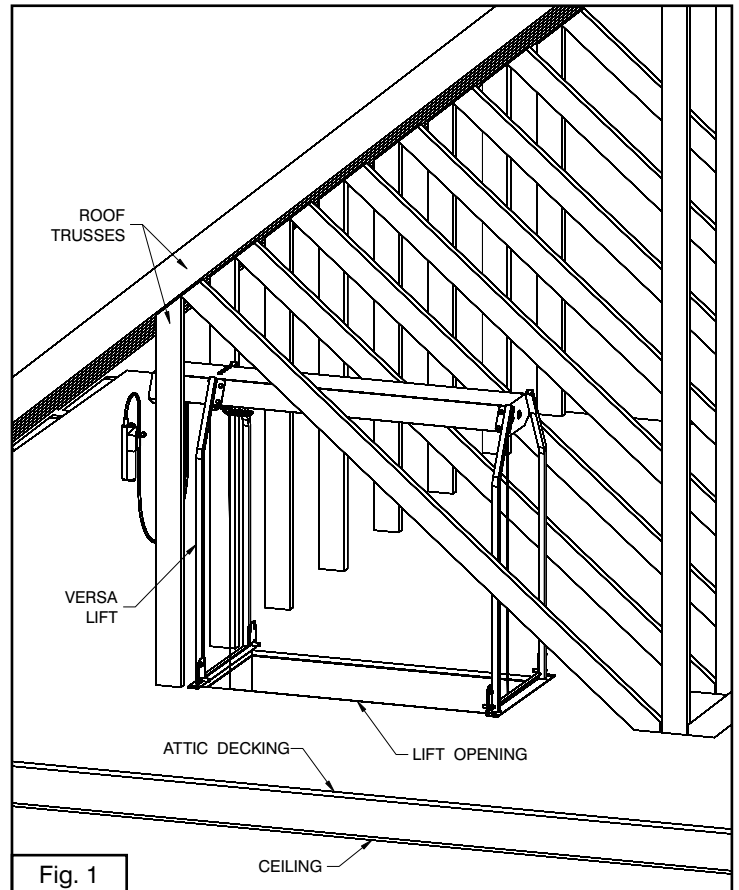


Fig. 1

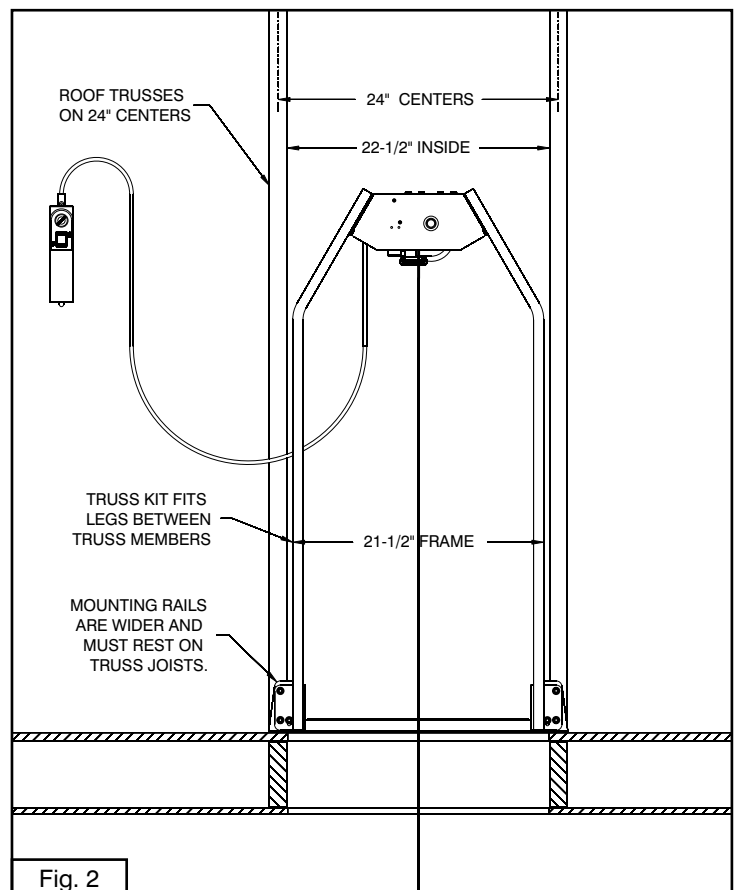


Fig. 2

Versa Lift Installation Guide Supplement for Truss Leg Kit ²

2. UNPACKING:

Unpack the components of the Truss Leg Kit carton and check the contents against those listed in Fig. 3. If you are missing any of the parts listed, contact BPG for replacement parts before starting installation.

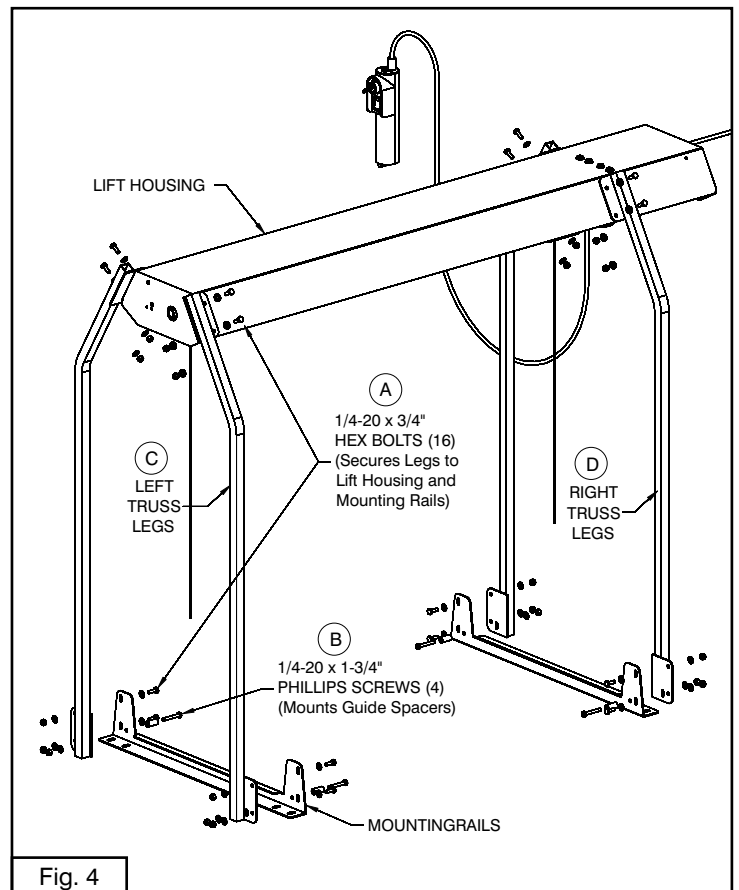
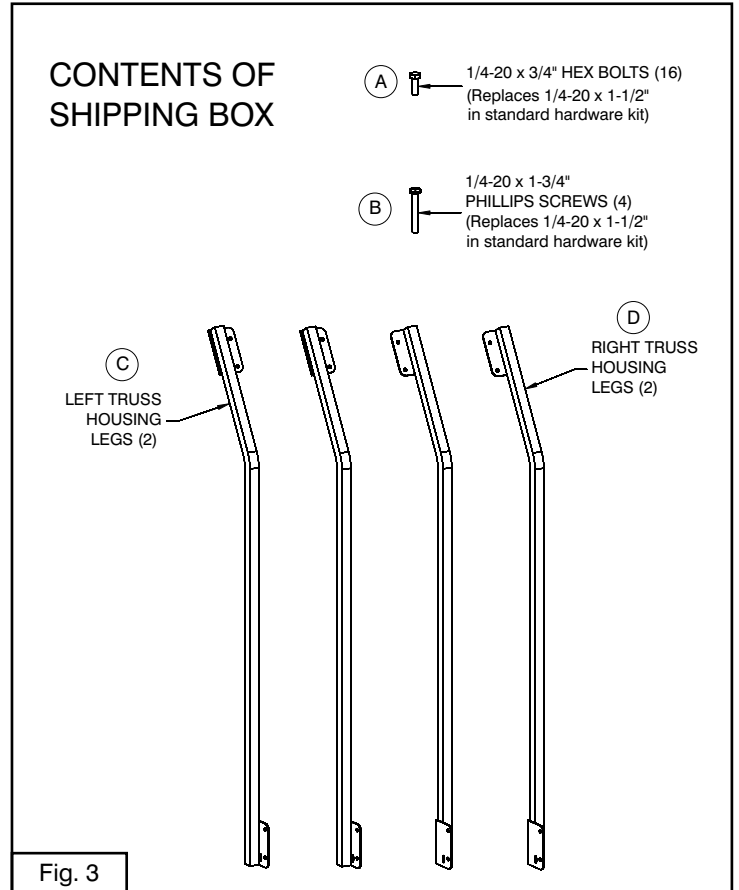
3. TRUSS LEG KIT COMPONENTS:

The left and right housing legs (C & D) in the truss kit have mounting flanges that are used to bolt the legs to the standard Versa Lift housing and mounting rails (Figs. 3 & 4).

Shorter hex bolts (A) are supplied in this kit, since the leg mounting bolts only go through the housing leg flanges and not through the legs themselves (Figs. 3 & 4).

In addition, longer screws (B) are supplied to mount the guide spacers because of the extra thickness of the leg flanges (Figs. 3 & 4).

(Continued on following page.)



4. LIFT OPENING PREPARATION:

4-1: The lift opening must be located between pre-fab trusses on 24" centers, because no truss member must be cut (Fig. 5). Also, you must allow at least 2" between the ends of the lift opening and any vertical truss members (Fig. 5). This space is required because the mounting rails are wider than the lift opening and must rest on the truss joists to support the lift (see Fig. 2). Other than the 2" minimum clearance (Fig. 5), the lift opening should be constructed according to the *Versa Lift Installation Guide* pages 4-9.

4-2: Locate and drill pilot holes around the opening as detailed on page 5, Fig. 4 of the *Versa Lift Installation Guide* and install the mounting rails on each end of the opening with lag screws and washers, as shown in Fig. 6 here and on page 14, Fig. 23 inset of the *Versa Lift Installation Guide*. Note that the truss legs are not attached to the mounting rails yet. Install the lag screws fully, but leave them loose so the rails can be adjusted later.

4-3: Install a plywood cover across the lift opening for additional safety while working in the close quarters created by truss construction (Fig. 6). This will reduce the chance of costly and dangerous accidents while installing the lifting head.

NOTE: Follow the instructions in the *Versa Lift Installation Guide* for full instructions on constructing the lift opening and for all other lift assembly and safety procedures not covered in this supplement.

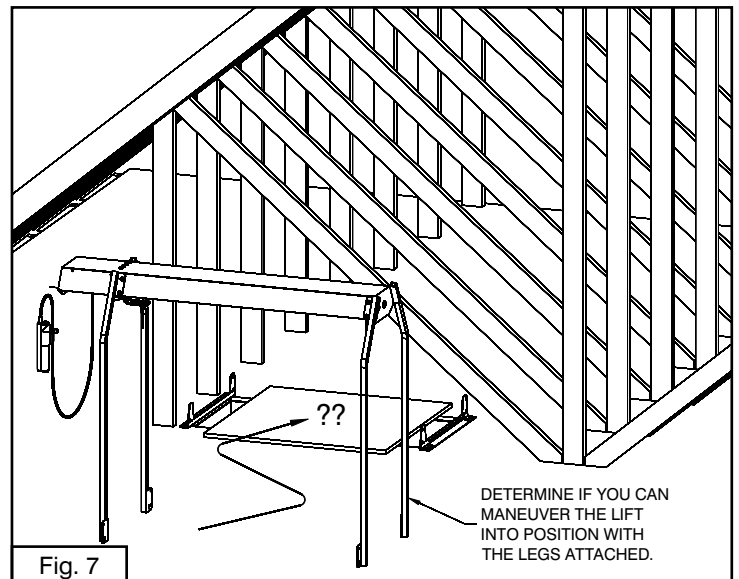
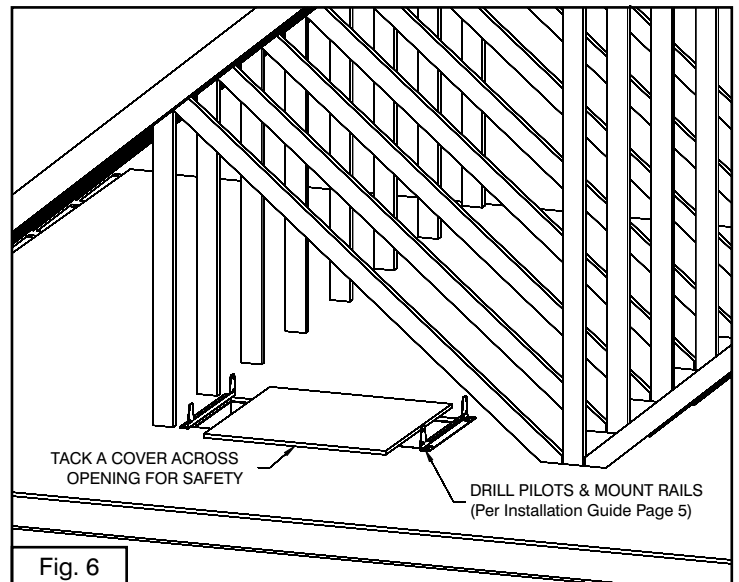
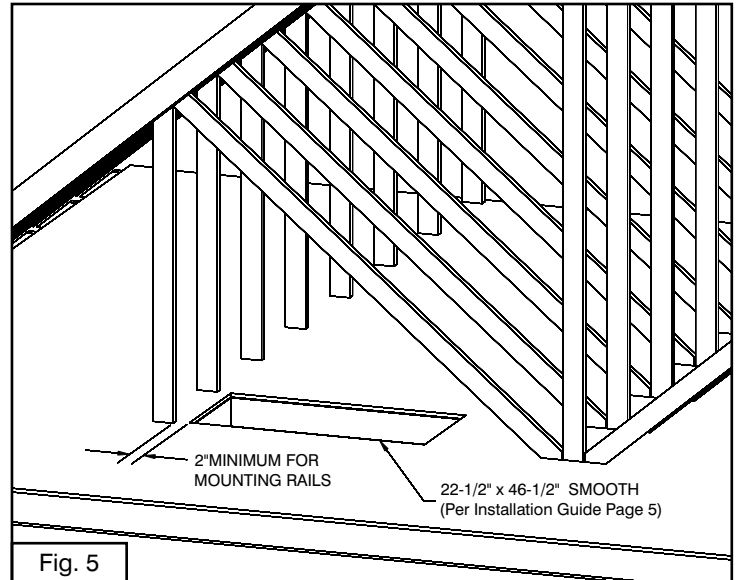
5. LIFT HEAD ASSEMBLY:

EVALUATE THE AVAILABLE SPACE:

Before attaching the legs to the lift housing, determine if you will have adequate space to maneuver the assembly into position between the joists and over the opening (Fig. 7). **If you have any doubts about having enough space, just follow "Procedure 2" detailed on the following page. It will work even in tight quarters.**

PROCEDURE 1: (Requires 2 persons) If you have enough room, you can place the housing on the floor bottom-side-up and assemble the truss legs to the housing using two bolts, nuts, and washers for each leg. Install the bolts, but leave them loose so the legs can be tipped slightly if necessary during maneuvering. Then stand the assembly upright as shown in Fig. 7 and maneuver into position. **Now follow steps 2-7, 2-8, and 2-9 of PROCEDURE 2 on the following page.**

(Continued on following page.)



5. LIFT HEAD ASSEMBLY (Cont.)

PROCEDURE 2: (Requires 3 persons) Generally, truss attics have limited open space and don't provide the room needed for Procedure 1. Use this procedure for best results in cramped spaces:

2-1. Place the housing open-side-up on top of the mounting rails as shown in Fig. 8.

2-2. Install just one leg bolt in each leg flange in the lower hole and tighten (Fig. 8 and inset). See Fig. 4 on page 2 for correct leg flange orientations.

2-3. Fold the legs down as shown in Fig. 8.

2-4. With one person at each end, lift the housing straight up above the opening (Fig. 9).

2-5. Rotate the housing 180 deg. so legs are pointing down (Fig. 9).

2-6. While two persons hold the housing, a third person folds the legs down and locates them outside the mounting rails (Fig. 10).

2-7. Install a second bolt thru each leg flange and into the lift housing (Fig. 10). **Tighten all 8 bolts that secure the legs to the housing.**

2-8. Install (8) hex bolts through the mounting rails and into the truss leg brackets exactly as shown in Fig. 4 on page 2. (The legs go outside of the mounting rails, while the bolts are inserted from inside rails). Don't tighten the bolts until after the lifting head has been leveled (see step 2-10 below).

2-9. Install the four guide spacers using the longer Phillips screws furnished. Refer to Fig. 4 on page 2 for the correct location and orientation for installing the spacers and hardware. Don't tighten the screws until after the lifting head has been leveled (see step 2-10 below).

2-10. Follow the *Versa Lift Installation Guide* for all remaining installation procedures, continuing from pg. 14, step 4. "Level the Lifting Head."

